



AEROPower VENTILATION CO., LTD

Head Office : No. 171, Wufu W. Rd., Wufeng Dist., Taichung City 413, Taiwan (R.O.C.)

E-mail : aeropower.sd@gmail.com

TEL : 886-4-23320088

FAX : 886-4-23320066



www.aeropower-fan.com.tw

AEROPower VENTILATION FAN

Beyond limitations, connect the future



AEROPower CORE SPIRT

FAITH

OBSERVANT

CONCENTRATE

UNFLAPPABLE

SINCERE

ABOUT US

In the early days of AEROPower Company engaged in the processing industry in Taichung City, it officially expanded to Wufeng District of Taichung City in 2004 and officially changed its name to 'AEROPower VENTILATION CO.,LTD'. The purpose of its establishment, under the chairman adhering to the concept of professional technology and integrity, coupled with long-term recognition of the increasingly serious greenhouse effect, poor air quality, or the installation of ineffective ventilation equipment, resulting in waste of investment and low work efficiency, so it invested in the addition of plant hardware and the update of R&D and production equipment, and produced professional cooling equipment that truly meets high efficiency, energy saving and environmental protection.

In addition to improving the quality of products and services, AEROPower proposes ventilation design that best meets customer needs. At the same time, we also strive to improve the quality of after-sales service, believing that only 'comprehensive quality improvement' is the "only way to reduce costs", rather than cutting corners due to price competition. This is the main reason for the steady growth of the compa-

CONTENTS

- 01 ABOUT US
- 02 FIBERGLASS EXHAUST FAN-DIRECT TYPE
- 04 FILBERGLASS EXHAUST FAN-BELT TYPE
- 06 FILBERGLASS SQUARE FAN
- 07 GALANIZED BOX FAN
- 08 BLUE MUSCULAR
- 10 AIR SUPPLY FAN
- 12 POWERSKY® X6
- 14 EVAPORATIVE AIR CONDITIONER
- 15 SOLAR ATTIC FAN
- 16 PORTABLE EVAPORATIVE COOLER
- 18 EXHAUST FAN ACCESSORIES
- 20 PROFESSIONAL CERTIFICATION



FIBERGLASS EXHAUST FAN-DIRECT TYPE

The conical shape promotes smoother airflow, and the housing is made of fiberglass material, providing excellent flexibility and tensile strength. It maintains its shape over extended periods of use, making it suitable for rigorous environments.

The direct-drive design of the fiberglass cone fan ensures quieter operation, eliminating concerns about belt wear and tear. Moreover, there is an option to upgrade the motor to a brushless DC motor, further enhancing the product's operational efficiency.



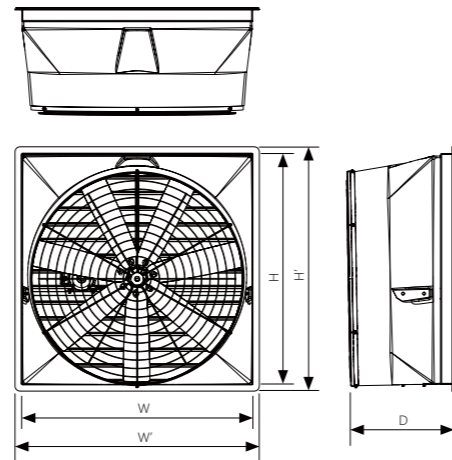
FRP (Fiber-Reinforced Plastic) is lightweight, strong, corrosion-resistant, dimensionally stable, electrically insulating, versatile, and UV-resistant, making it ideal for fan's housing.

INDUCTION MOTOR

Efficient, reliable, durable electrical machines widely used across industries for their simplicity and cost-effectiveness.

BLDC MOTOR UPGRADE

BLDC (Brushless DC) motor is efficient, durable, and low-maintenance electrical machines. The power saving effect is up to 30% compared with induction motors.



PRODUCE



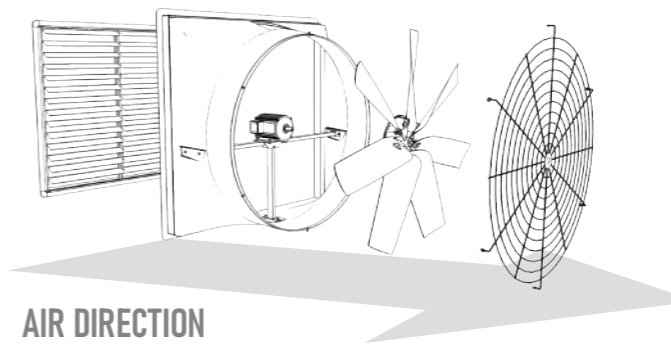
ASSEMBLY



ADJUSTMENT



QUALITY INSPECTION



AIR DIRECTION



28" FIBERGLASS EXHAUST FAN EF-A24

External Dims.	H'79xW'79xD'50cm
Instl. Dims.	H72xW72cm
Blade Size	24"
Voltage	220V / 60Hz
Output	0.5HP
SYN R.P.M	1092
AMP @220V	1.8A
Consumption	540W
Noise	70 dB(A)
S.F.	1.0
Shutter	Pneumatic PVC
Airflow	8400CMH
Net Weight	25KG

36" FIBERGLASS EXHAUST FAN EF-A32

External Dims.	H'100xW'100xD'60cm
Instl. Dims.	H93xW93cm
Blade Size	32"
Voltage	220V / 60Hz
Output	0.75HP
SYN R.P.M	661
AMP @220V	3.4A
Consumption	852W
Noise	72 dB(A)
S.F.	1.0
Shutter	Connecting Rod PVC
Airflow	19800CMH
Net Weight	42KG

42" FIBERGLASS EXHAUST FAN EF-A36

External Dims.	H'108.5xW'108.5xD'60cm
Instl. Dims.	H101.5xW101.5cm
Blade Size	36"
Voltage	220V / 60Hz
Output	0.75HP
SYN R.P.M	547
AMP @220V	4.2A
Consumption	940W
Noise	72 dB(A)
S.F.	1.0
Shutter	Connecting Rod PVC
Airflow	22000CMH
Net Weight	45KG

46" FIBERGLASS EXHAUST FAN EF-A42

External Dims.	H'126xW'126xD'60cm
Instl. Dims.	H119.5xW119.5cm
Blade Size	42"
Voltage	220V / 60Hz
Output	1.0HP
SYN R.P.M	552
AMP @220V	4.5A
Consumption	1045W
Noise	66 dB(A)
S.F.	1.0
Shutter	Connecting Rod PVC
Airflow	28700CMH
Net Weight	46KG

54" FIBERGLASS EXHAUST FAN EF-A50

External Dims.	H'145xW'145xD'60cm
Instl. Dims.	H138xW138cm
Blade Size	50"
Voltage	220V / 60Hz
Output	1.5HP
SYN R.P.M	490
AMP @220V	5.7A
Consumption	1460W
Noise	73 dB(A)
S.F.	1.0
Shutter	Connecting Rod PVC
Airflow	39500CMH
Net Weight	62KG

FILBERGLASS EXHAUST FAN-BELT TYPE

The conical design enhances smoother airflow, and the housing is made of fiberglass material, providing excellent flexibility and tensile strength. It maintains its shape over extended periods of use, making it suitable for rigorous environments.

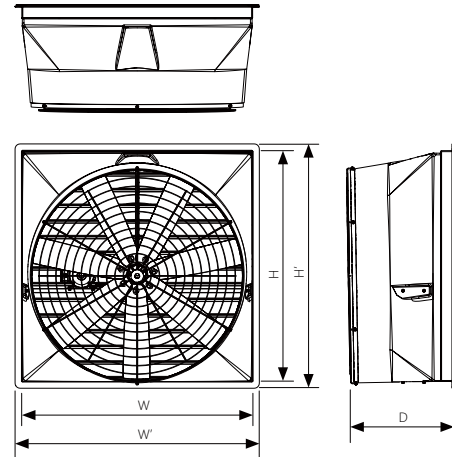
The belt-driven design of this series of fiberglass cone fans allows them to withstand higher static pressure and more dusty environments. The timing belt ensures that the product does not slip during transmission, eliminating concerns about reduced efficiency over time with prolonged use. Additionally, there is an option to upgrade the motor to an explosion-proof motor for added safety in specific environments.

INDUCTION MOTOR

Efficient, reliable, durable electrical machines widely used across industries for their simplicity and cost-effectiveness.

EXPLOSION-PROOF MOTOR UPGRADE

To prevent ignition of flammable gases, with robust construction and protection, ensuring safety in hazardous environments. Explosion-proof grade : Ex e II T3 Gb



Timing belts offer precise power transmission, low noise, and minimal maintenance. They are resistant to slip, heat, and oil, ensuring reliable performance. Their lightweight design reduces stress on bearings, and they are cost-effective due to their long lifespan and ease of replacement, making them ideal for various applications.



42" FIBERGLASS EXHAUST FAN-BELT TYPE EF-B36

External Dims.	H'108.5xW'108.5xD'60cm
Instl. Dims.	H101.5xW101.5cm
Blade Size	36"
Voltage	220V / 60Hz
Output	1.0HP
SYN R.P.M	535
AMP @220V	2.8A
Consumption	670W
Efficiency	IE 2
S.F.	1.15
SFP @ 0 S.P.	17.9(cfm/W)
Net Weight	50KG

46" FIBERGLASS EXHAUST FAN-BELT TYPE EF-B42

External Dims.	H'126xW'126xD'60cm
Instl. Dims.	H119.5xW119.5cm
Blade Size	42"
Voltage	220V / 60Hz
Output	1.0HP
SYN R.P.M	538
AMP @220V	3.0A
Consumption	670W
Efficiency	IE 2
S.F.	1.15
SFP @ 0 S.P.	22.1(cfm/W)
Net Weight	53KG

54" FIBERGLASS EXHAUST FAN-BELT TYPE EF-B50

External Dims.	H'145xW'145xD'60cm
Instl. Dims.	H119.5xW119.5cm
Blade Size	42"
Voltage	220V / 60Hz
Output	1.0HP
SYN R.P.M	449
AMP @220V	3.1A
Consumption	880W
Efficiency	IE 2
S.F.	1.15
SFP @ 0 S.P.	23.5(cfm/W)
Net Weight	63KG

61" FIBERGLASS EXHAUST FAN-BELT TYPE EF-B54

External Dims.	H'162xW'157xD'72cm
Instl. Dims.	H119.5xW119.5cm
Blade Size	54"
Voltage	220V / 60Hz
Output	2.0HP
SYN R.P.M	677
AMP @220V	4.5A
Consumption	1500W
Efficiency	IE 2
S.F.	1.15
SFP @ 0 S.P.	23.5(cfm/W)
Net Weight	81KG

FIBERGLASS SQUARE FAN

To meet the demands of the market, the design of this product series adopts a square configuration. It utilizes FRP (Fiber-Reinforced Plastic) in a one-piece molded construction, ensuring dimensional stability and resistance to deformation over prolonged periods of use. When these products are installed, their louvers align flush with the exterior wall, opening outward. This feature makes them exceptionally well-suited for installation in industrial facilities where outdoor space is limited.

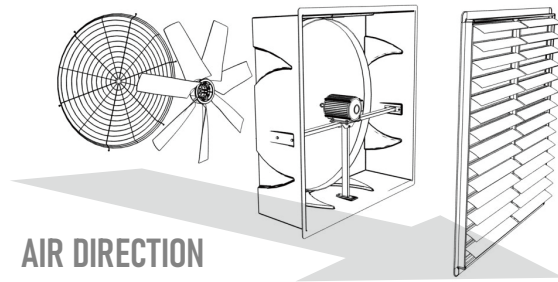
Furthermore, the FRP Square Fan can be optimized by upgrading its motor to a brushless DC motor. This upgrade significantly reduces power consumption during operation, while concurrently providing a consistent supply of fresh air to enhance the air quality within production workshops.

INDUCTION MOTOR

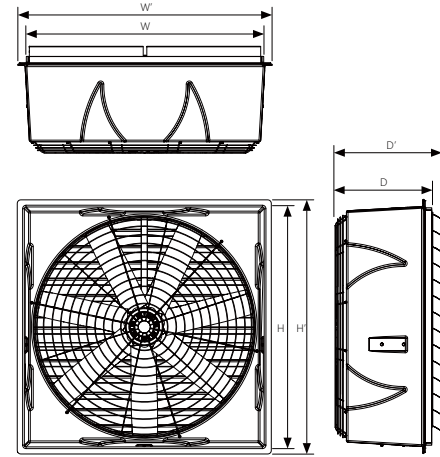
Efficient, reliable, durable electrical machines widely used across industries for their simplicity and cost-effectiveness.

BLDC MOTOR UPGRADE

BLDC (Brushless DC) motor is efficient, durable, and low-maintenance electrical machines. The power saving effect is up to 30% compared with induction motors.



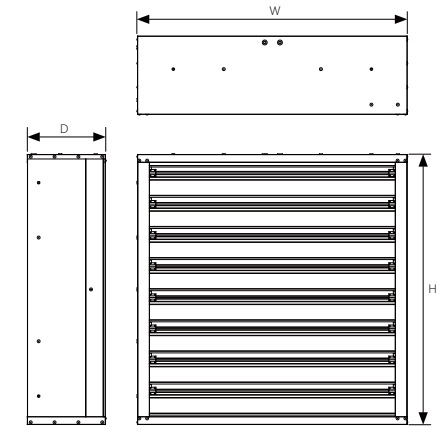
AIR DIRECTION



GALVANIZED BOX FAN

The galvanized box fan is manufactured from galvanized steel plates, benefiting from its square design. This type of fan can be neatly arranged on walls, effectively utilizing wall space, and offers flexible installation.

Utilizing a belt-driven design, the galvanized box fan exhibits the capability to withstand elevated static pressure and environments with a higher concentration of dust particles. It finds extensive applications in settings such as livestock facilities, greenhouses, and industrial factories.



42" FIBERGLASS SQUARE FAN

ES-A36

External Dims.	H'108.5xW'108.5xD'55cm
Instl. Dims.	H101.5xW101.5cm
Blade Size	36"
Voltage	220V / 60Hz
Output	0.75HP
SYN R.P.M	547
AMP @220V	4.2A
Consumption	940W
Noise	72 dB(A)
Shutter	Connecting Rod PVC
Airflow	22000CMH
Net Weight	45KG

54" FIBERGLASS SQUARE FAN

ES-A50

External Dims.	H'145xW'145xD'62cm
Instl. Dims.	H138xW138cm
Blade Size	50"
Voltage	220V / 60Hz
Output	1.5HP
SYN R.P.M	490
AMP @220V	5.7A
Consumption	1460W
Noise	73 dB(A)
Shutter	Connecting Rod PVC
Airflow	39500CMH
Net Weight	62KG

42" GALVANIZED BOX FAN

EG-B36

External Dims.	H'110xW'110xD'40cm
Blade Material	Stainless Steel
Blade Size	36"
Voltage	220V / 60Hz
Output	1.0HP
AMP @220V	3.3A
Consumption	940W
Efficiency	IE 2
S.F.	1.15
Shutter	Hammer type
Airflow	22000CMH
Net Weight	40KG

54" GALVANIZED BOX FAN

EG-B50

External Dims.	H'138xW'138xD'40cm
Blade Material	Aluminum
Blade Size	50"
Voltage	220V / 60Hz
Output	1.0HP
AMP @220V	4.3A
Consumption	1350W
Efficiency	IE 2
S.F.	1.15
Shutter	Hammer type
Airflow	39500CMH
Net Weight	59KG

BLUE MUSCULAR

The Blue Muscular is designed to provide ample air circulation for spaces where exhaust fans cannot be installed or in hard-to-reach corners, enhancing ventilation effectiveness. The cylindrical body is manufactured using galvanized steel plates, rendering it exceptionally well-suited for deployment in construction environments where it exhibits resistance to moderate impacts and a reduced risk of breakage.

The Blue Muscular offers versatility in its usage and boasts flexible installation options. Its cylindrical configuration facilitates the efficient passage of air through its body, minimizing air resistance and enabling the effortless delivery of air to zones with limited natural airflow. Notably, the BM-D30 and BM-D36 models feature brushless DC motors, while the BM-A42 model presents a choice between an induction motor or a brushless DC motor, resulting in notable energy efficiency gains.

SICKLE-SHAPED BLADES

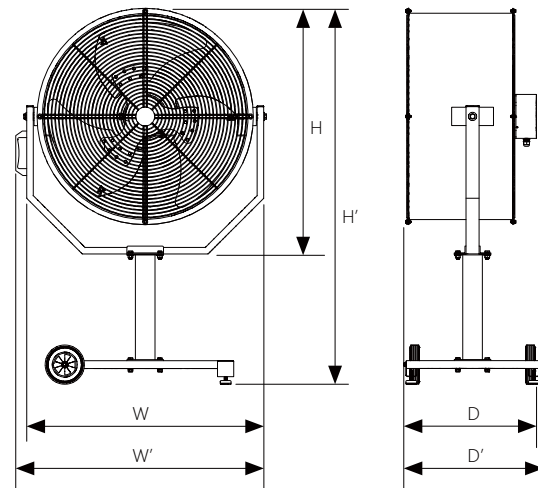
Quiet operation, large air volume and higher air collection efficiency.

BRUSHLESS DC MOTOR

Higher motor efficiency, saving more than 30% power than induction motors.

MOUNTING BRACKET

The mounting bracket can help you quickly fix the fan on the wall. Make the ground space can be used more effectively.



24" BLUE MUSCULAR BM-A24

External Dims.	H'128xW'82xD'51cm
Hanging Dims.	H77xW78xD51cm
Blade Size	24"
Type	ANEF (induction motor)
Voltage	220V / 60Hz
Output	0.5HP
SYN R.P.M	1100
AMP @220V	3.7A
Consumption	550W
Switch	Rocker Switch
Max. Throw	20 m
Airflow	8900CMH
Net Weight	43KG

30" BLUE MUSCULAR BM-D30

External Dims.	H'144xW'94xD'63cm
Hanging Dims.	H94xW69xD63cm
Blade Size	30"
Type	ANEF (BLDC motor)
Voltage	220V / 60Hz
Output	1.0HP
SYN R.P.M	1060
AMP @220V	2.0A
Consumption	470W
Switch	Variable resistor with switch to adjust speed
Max. Throw	25m
Airflow	14330CMH
Net Weight	48KG

36" BLUE MUSCULAR BM-D36

External Dims.	H'166xW'116xD'60cm
Hanging Dims.	H111xW112xD59cm
Blade Size	36"
Type	ANEF (BLDC motor)
Voltage	220V / 60Hz
Output	1.0HP
SYN R.P.M	840
AMP @220V	3.0A
Consumption	650W
Switch	Variable resistor with switch to adjust speed
Max. Throw	30m
Airflow	26330CMH
Net Weight	78KG

42" BLUE MUSCULAR BM-A42

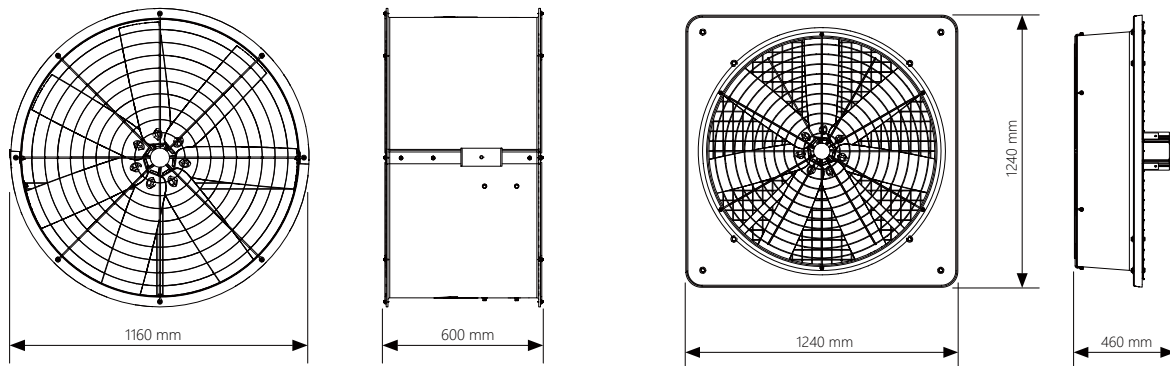
External Dims.	H'108xW'108xD'52cm
Hanging Dims.	H113xW113xD52cm
Blade Size	42"
Type	ANEF (induction motor)
Voltage	220V / 60Hz
Output	1.0HP
SYN R.P.M	547
AMP @220V	4.5A
Consumption	1045W
Switch	Push Button Switch
Max. Throw	30m
Airflow	28700CMH
Net Weight	74KG



AIR SUPPLY FAN

Capitalizing on the high-temperature resistance and corrosion resistance attributes of FRP (Fiber-Reinforced Plastic), these two fan models are ideally suited for installation in livestock facilities or for use in conjunction with evaporative media systems. They excel at delivering ample air circulation, even to remote or challenging-to-reach corners.

The standout feature of these two fans lies in their straightforward installation process. Their motors directly drive the fan blades, resulting in minimal noise emission. The BFI-A42 model offers the advantage of post-installation angle adjustments and presents the choice to upgrade to a brushless DC motor. Notably, the BFI-A42 model also offers the choice of purchasing a mobile base, enabling users to freely select the area where the product directs airflow during use.



42" TUREO-TYPE FAN

BFI-A42

Blade Size	42"
Voltage	220V / 60Hz
Output	1.0HP
SYN R.P.M	547
AMP @220V	4.5A
Consumption	1045W
Noise	72dB(A)
S.F.	1.0
Max. Throw	30m
Airflow	28700CMH
Net Weight	50KG

42" PANEL FAN

PF-A42

Blade Size	42"
Voltage	220V / 60Hz
Output	1.0HP
SYN R.P.M	547
AMP @220V	4.5 A
Consumption	1045W
Noise	72dB(A)
S.F.	1.0
Max. Throw	30m
Airflow	28700CMH
Net Weight	48KG



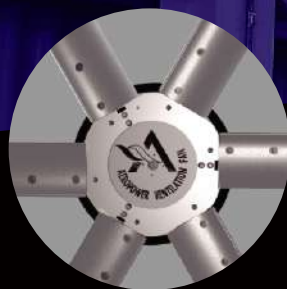
BLOWER





POWERSKY® X6

The POWERSKY® X6 is an HVLS (High Volume, Low Speed) fan designed to deliver powerful airflow, primarily intended for enhancing air circulation within spaces. It boasts extensive coverage and its installation process is simple.



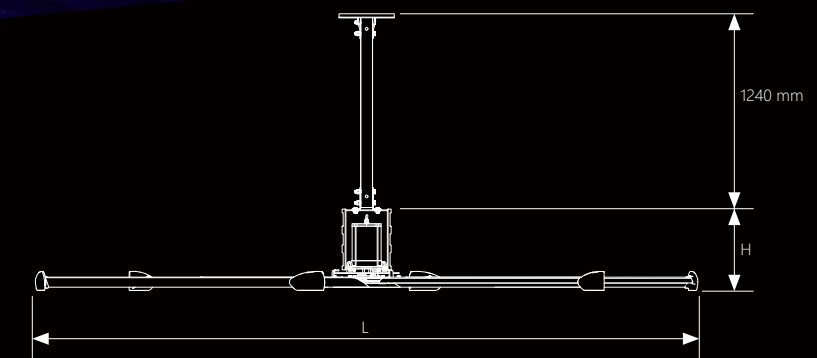
ALUMINUM FAN BLADE



BLDC MOTOR



AP SMART CONTROLLER



The POWERSKY® X6 incorporates several patented safety features and is equipped with a brushless DC motor. The exceptional energy-saving capabilities of the brushless DC motor result in outstanding energy efficiency for the POWERSKY® X6.

Furthermore, the absence of gearbox-related noise ensures a quieter operational experience while utilizing the POWERSKY® X6. For enhanced control and energy optimization, the POWERSKY® X6 offers compatibility with the optional AP Smart Controller. This controller enables users to select between automatic and manual operation modes, thereby enhancing operational flexibility and energy conservation capabilities.

MODEL*	L (ft)	L (m)	H	Working Area**	Multiple Fans***	Noise	Rated Output	Rated Rotating Speed	Highest Rotating Speed	Weight****
PSX6-3	10 ft	3 m	49.5 cm	135 m ²	7.5 m	42 dB	480 W	110	115	100 KG
PSX6-4	13 ft	4 m		215 m ²	10 m	40 dB	780 W	85	90	103 KG
PSX6-5	16 ft	4.8 m		330 m ²	12 m	38 dB	1050 W	65	70	110 KG
PSX6-6	20 ft	6.1 m	48.7 cm	440 m ²	15 m	40 dB	900 W	73	75	153 KG
PSX6-7	24 ft	7.3 m		706 m ²	18 m	39 dB	1150 W	58	60	168 KG

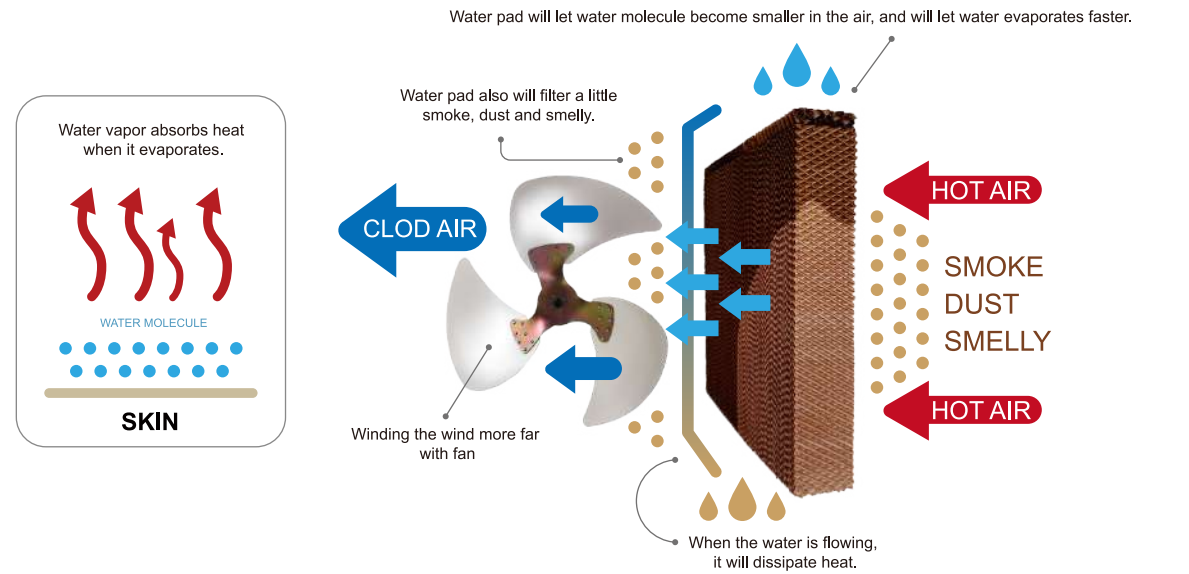
* POWERSKY® X6 is designed for internal circulation ventilation of the plant. It is not suitable for installation in places with high corrosivity or places with excessive dust, which will affect product life.
 ** The working area is the coverage area and will vary due to ground obstacles, installation height and building shape.
 *** It is recommended that the distance between the fan center and the fan center is $\geq 2.5x$ fan diameter.
 **** Weight does not include mount or extension tube.



EVAPORATIVE AIR CONDITIONER

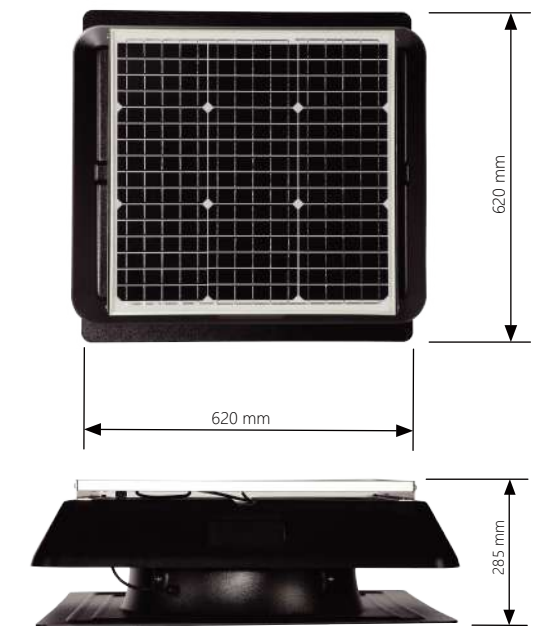
When you seek to achieve lower operational costs than those associated with a central conditioning system, evaporative air conditioner emerges as a cost-effective and environmentally friendly choice. Evaporative air conditioner can be applied in various settings and is typically installed on rooftops, walls, or ground-level locations. Depending on the installation location, there are three different product types, each with a distinct air outlet configuration.

Operating on the principles of thermodynamics, evaporative air conditioner achieves cooling by introducing cool, fresh air from the outdoors into indoor spaces. During operation, it is necessary to open windows or doors to facilitate the flow of air through the space, ensuring effective cooling. Furthermore, evaporative air conditioner come equipped with an automatic flushing function, which helps maintain clean water in the equipment during operation. This functionality is pivotal in ensuring the longevity of both the evaporative media and the equipment.



SOLAR ATTIC FAN

As global warming intensifies, low carbon emissions have become a critical concern. Solar panels are the most accessible source of renewable energy. To address the issue of short peak absorption times, solar attic fans combine both solar and mains power systems. They automatically switch to indoor power when efficiency is low, ensuring consistent ventilation.



EVAPORATIVE AIR CONDITIONER (ABOVE) ECI-A24A

External Dims.	116x116x94cm
Vent Size	67.5x67.5cm
Control	LCD
Blade Size	24"
Voltage	220V / 60Hz
AMP @220V	4.0A
Power Cons.	1100W
Water Tank	30 L
Water Cons.	15~20 L/hr
Noise	70 dB(A)
Pneumatics	180 Pa
Airflow	18000CMH
Net Weight	78KG

EVAPORATIVE AIR CONDITIONER (SIDE) ECI-A24S

External Dims.	116x124x90cm
Vent Size	66x66cm
Control	LCD
Blade Size	24"
Voltage	220V / 60Hz
AMP @220V	4.0A
Power Cons.	1100W
Water Tank	30 L
Water Cons.	15~20 L/hr
Noise	70 dB(A)
Pneumatics	180 Pa
Airflow	18000CMH
Net Weight	107KG

EVAPORATIVE AIR CONDITIONER (BELOW) ECI-A24B

External Dims.	116x116x90cm
Vent Size	67.5x67.5cm
Control	LCD
Blade Size	24"
Voltage	220V / 60Hz
AMP @220V	4.0A
Power Cons.	1100W
Water Tank	30 L
Water Cons.	15~20 L/hr
Noise	70 dB(A)
Pneumatics	180 Pa
Airflow	18000CMH
Net Weight	77KG

14" SOLAR ATTIC FAN SAF-D14

Solar Panel Size	H49xW49 cm
Solar Panel Type	Monocrystalline PV
Blade Size	14" - six blades
Material	ABS / Aluminim / Stainless Steel
Motor	18-30VDC, Brushless motor with double shielded ball bearing
R.P.M	1330 r/min
Power	Solar powered / Indoor powered
Max. AMP @24V	1.8A
Max. Consumption	40W
Noise	46dB(A)
Airflow	1200CFM
Working Temp.	-10~45°C
Net Weight	25KG



PORTABLE EVAPORATIVE COOLER

The widely favored portable evaporative cooler offers a plug-and-play solution. Its dimensions are meticulously designed to optimize airflow, and it can be effortlessly relocated using four swivel casters with rubber treads. Constructed with LDPE housing, it exhibits remarkable resilience, effectively absorbing impact forces, and expanding its applicability across various usage areas.

This cooling system utilizes thermodynamic adiabatic pads for temperature reduction, eliminating the need for water spraying. During operation, it is imperative to open doors and windows to facilitate air circulation within the space, ensuring efficient cooling. The entire product series is equipped with brushless DC motors and features fan blades designed in a sickle shape. This design enables the portable cooler to deliver exceptional airflow coverage while maintaining low noise levels and minimizing power consumption.



24" PORTABLE EVAPORATIVE COOLER ECM-D24

Blade Size	24"	Noise	<70 dB(A)
Voltage	220V	Water Cons.	25~30 L/hr
Motor	BLDC	Water Storage	160 L
SYN R.P.M	1080	Control	Tactile Switch
AMP @220V	1.9A	Weight	69 KG
Power Cons.	430W	Airflow	14000 CMH



110° Swing Shutter

Swing shutter make the air supply range wider.

GFCI

Ground Fault Circuit Interrupter compliant with safety regulations, safer to use.



36" PORTABLE EVAPORATIVE COOLER ECM-D36

Blade Size	36"	Noise	<72 dB(A)
Voltage	220V	Water Cons.	25~30 L/hr
Motor	BLDC	Water Storage	200 L
SYN R.P.M	840	Control	Digital Capacitive
AMP @220V	4.5A	Weight	85 KG
Power Cons.	950W	Airflow	24200 CMH



Air Deflector Design

The air deflector direct the wind to a farther location efficiently.

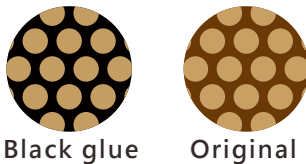
GFCI

Ground Fault Circuit Interrupter compliant with safety regulations, safer to use.

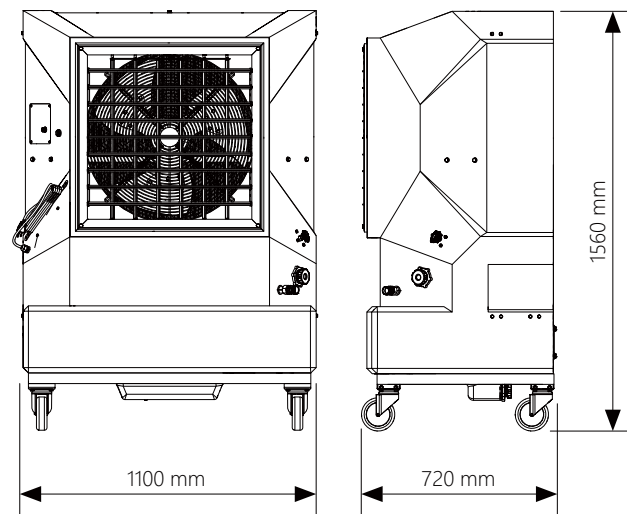
PRODUCT COLOR



EVAPORATIVE MEDIA



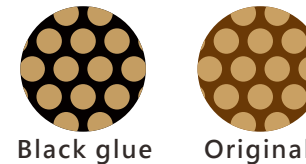
CONTROL PANEL



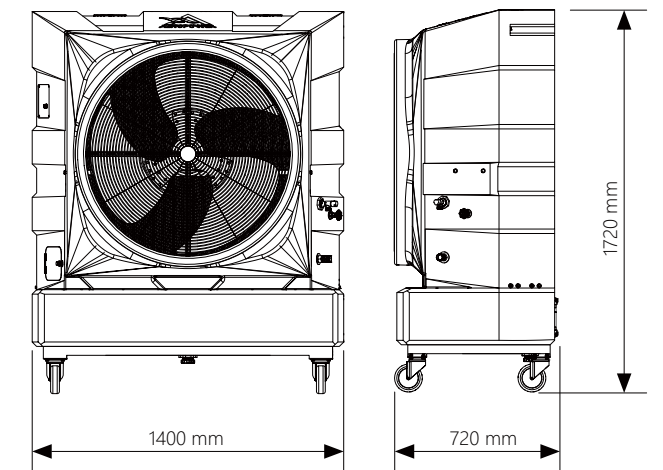
PRODUCT COLOR



EVAPORATIVE MEDIA



CONTROL PANEL



EXHAUST FAN ACCESSORIES

The installation using the shutter and switch provided by AEROPower is problem-free. In addition, AEROPower offers three types of exhaust outlet accessories, three shutters options, and three controllers, providing exceptional flexibility. Customers can choose to purchase additional accessories based on their installation requirement.



FIBERGLASS ROOF HOOD

FUNCTION :
With roof installation method
ADVANTAGE :
1. Easy to install
2. Corrosion resisting



FIBERGLASS ELBOW DUCT

FUNCTION :
For the fan at the round mouth of the connection, change the wind direction of the outer wall of the fan.
ADVANTAGE :
1. The wind guide effect is well.
2. Durability is excellent



AIR DIVERSION OUTLET

FUNCTION :
Resist the side wind, increase the effect of the wind diversion outlet.
ADVANTAGE :
1. Resist side wind interference
2. Corrosion proof

SHUTTER



PNEUMATIC PVC SHUTTER

The most traditional shutter, durable and easy to maintain.



CONNECTING ROD PVC SHUTTER

Stainless steel connecting rods link each louver, providing better impact resistance and ventilation.

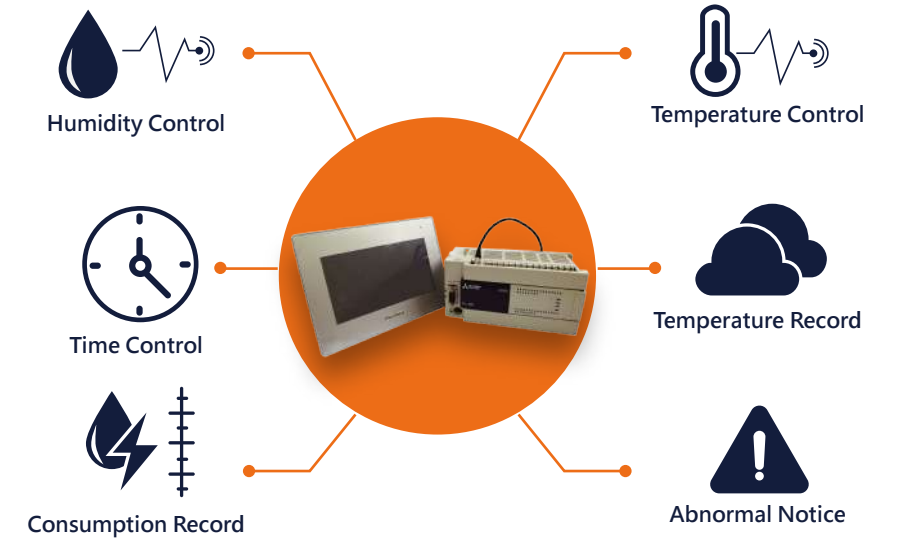


ELECTRIC ALUMINUM SHUTTER

Equipped with an IP68-rated electric motor, ensuring high sealing, excellent dust resistance, and impact resistance for the louvers.

CONTROLLER

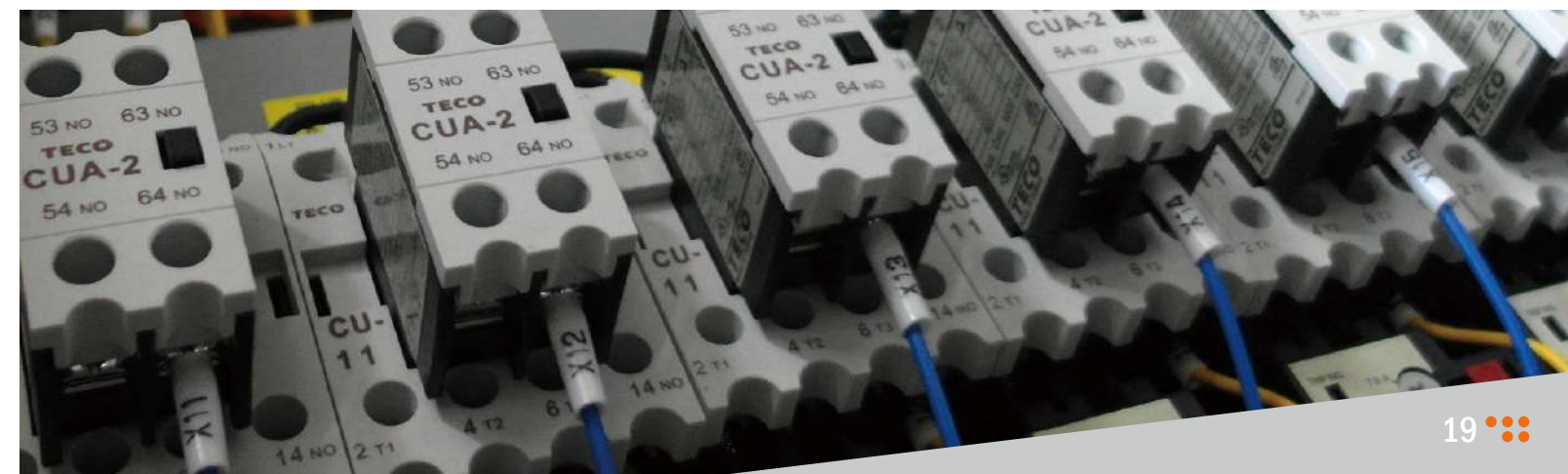
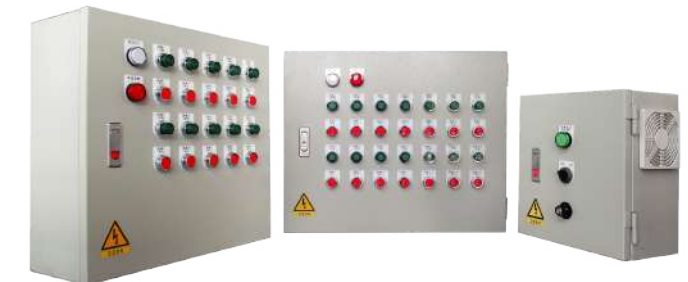
AP Livestock X2 Automatically Control System



MAGNETIC CONTACTOR



CONTROL CABINET





PROFESSIONAL CERTIFICATION

INTERNATIONAL CE CERTIFICATION



NATIONAL PATENT

